

Segment bends, 2 and 3 mm

Technical catalogue: Duct systems
Section: 02
Page: 7/16
Revised: 01.05.2009

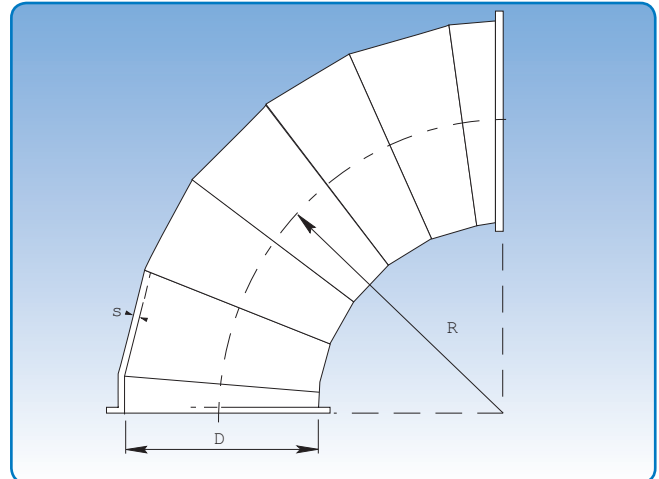
Diameter for 2 mm: $\varnothing 140 - \varnothing 1000$ mm.
Diameter for 3 mm: $\varnothing 225 - \varnothing 1000$ mm.

Segment bends are available in other radii and dimensions to order.

2 and 3 mm segment bends are supplied as standard for pull rings [f.b].

Segment bends with $D = \varnothing 630$ mm - $\varnothing 1000$ mm supplied with flange [m.fl].

Dimensional specifications are given in the table below.
 $R = 1.5 \times D$ for all dimensions.



| Dimensions | | | | | | | | | | | |
|------------|---------|----------|--------|----------|--------|----------|--------|----------|-------|----------|-------|
| D mm | s mm | 90° | | 60° | | 45° | | 30° | | 15° | |
| | | Item no. | kg | Item no. | kg | Item no. | kg | Item no. | kg | Item no. | kg |
| 140 | 2,00 | 1144292 | 2,90 | 1144262 | 2,00 | 1144242 | 1,40 | 1144232 | 1,00 | 1144212 | 0,50 |
| 225 | 2,00 | 1149292 | 7,60 | 1149262 | 5,20 | 1149242 | 3,80 | 1149232 | 2,60 | 1149212 | 1,40 |
| 275 | 2,00 | 11588929 | 9,60 | 11588629 | 7,20 | 11588429 | 4,80 | 1152232 | 3,60 | 11588129 | 1,80 |
| 315 | 2,00 | 1152292 | 13,30 | 1152262 | 8,60 | 1152242 | 6,50 | 11588329 | 4,40 | 1152212 | 2,20 |
| 450 | 2,00 | 1155892 | 24,20 | 1155862 | 16,20 | 1155842 | 12,10 | 1155832 | 8,10 | 1155812 | 4,00 |
| 500 | 2,00 | 1156892 | 29,90 | 1156862 | 20,00 | 1156842 | 15,00 | 1156832 | 10,00 | 1156812 | 5,00 |
| 550 | 2,00 | 1157892 | 36,20 | 1157862 | 24,20 | 1157842 | 18,10 | 1157832 | 12,10 | 1157812 | 6,00 |
| 600 | 2,00 | 1158892 | 43,10 | 1158862 | 28,80 | 1158842 | 21,60 | 1158832 | 14,40 | 1158812 | 7,20 |
| 630 | 2,00 | 1159895 | 53,78 | 1159865 | 38,08 | 1159845 | 30,18 | 1159835 | 22,18 | 1159815 | 14,28 |
| 650 | 2,00 | 1160895 | 57,17 | 1160865 | 40,37 | 1160845 | 31,87 | 1160835 | 23,47 | 1160815 | 14,97 |
| 700 | 2,00 | 1161895 | 65,85 | 1161865 | 46,25 | 1161845 | 36,45 | 1161835 | 26,65 | 1161815 | 16,85 |
| 750 | 2,00 | 1162895 | 77,67 | 1162865 | 55,17 | 1162845 | 43,97 | 1162835 | 32,67 | 1162815 | 21,20 |
| 800 | 2,00 | 1163895 | 87,61 | 1163865 | 62,01 | 1163845 | 49,21 | 1163835 | 36,41 | 1163815 | 23,61 |
| 850 | 2,00 | 1164895 | 98,25 | 1164865 | 69,25 | 1164845 | 54,85 | 1164835 | 40,35 | 1164815 | 25,95 |
| 900 | 2,00 | 1165895 | 109,40 | 1165865 | 77,00 | 1165845 | 60,80 | 1165835 | 44,50 | 1165815 | 28,30 |
| 950 | 2,00 | 1166895 | 121,14 | 1166865 | 85,04 | 1166845 | 66,94 | 1166835 | 48,84 | 1166815 | 30,84 |
| 1000 | 2,00 | 1167895 | 133,58 | 1167865 | 93,48 | 1167845 | 73,48 | 1167835 | 53,48 | 1167815 | 33,38 |
| 225 | 3,00 | 1149392 | 11,10 | 1149362 | 7,40 | 1149342 | 5,60 | 1149332 | 3,70 | 1149312 | 1,90 |
| 250 | 3,00 | 1150392 | 11,10 | 1150362 | 7,40 | 1150342 | 5,60 | 1150332 | 3,70 | 1150312 | 1,90 |
| 275 | 3,00 | 11589929 | 14,40 | 11589629 | 10,80 | 11589429 | 7,20 | 11589329 | 5,40 | 11589129 | 2,70 |
| 300 | 3,00 | 1151392 | 16,10 | 1151362 | 10,70 | 1151342 | 8,00 | 1151332 | 5,40 | 1151312 | 2,70 |
| 315 | 3,00 | 1152392 | 19,65 | 1152362 | 12,90 | 1152342 | 9,75 | 1152332 | 6,60 | 1152312 | 3,30 |
| 350 | 3,00 | 1153392 | 22,00 | 1153362 | 14,60 | 1153342 | 11,00 | 1153332 | 7,30 | 1153312 | 3,70 |
| 400 | 3,00 | 1154392 | 28,60 | 1154362 | 19,10 | 1154342 | 14,30 | 1154332 | 9,50 | 1154312 | 4,80 |
| 450 | 3,00 | 1155992 | 36,40 | 1155962 | 24,20 | 1155942 | 18,20 | 1155932 | 12,10 | 1155912 | 6,10 |
| 500 | 3,00 | 1156992 | 44,90 | 1156962 | 29,90 | 1156942 | 22,40 | 1156932 | 15,00 | 1156912 | 7,50 |
| 550 | 3,00 | 1157992 | 54,40 | 1157962 | 36,20 | 1157942 | 27,20 | 1157932 | 18,10 | 1157912 | 9,10 |
| 600 | 3,00 | 1158992 | 64,70 | 1158962 | 43,20 | 1158942 | 32,40 | 1158932 | 21,60 | 1158912 | 10,80 |
| 630 | 3,00 | 1159995 | 77,48 | 1159965 | 53,78 | 1159945 | 41,98 | 1159935 | 30,08 | 1159915 | 18,28 |
| 650 | 3,00 | 1160995 | 82,57 | 1160965 | 57,17 | 1160945 | 44,57 | 1160935 | 31,87 | 1160915 | 19,27 |
| 700 | 3,00 | 1161995 | 95,25 | 1161965 | 65,85 | 1161945 | 51,15 | 1161935 | 36,45 | 1161915 | 21,75 |
| 750 | 3,00 | 1162995 | 111,47 | 1162965 | 77,67 | 1162945 | 60,77 | 1162935 | 43,97 | 1162915 | 27,07 |
| 800 | 3,00 | 1163995 | 126,01 | 1163965 | 87,61 | 1163945 | 68,41 | 1163935 | 49,21 | 1163915 | 30,01 |
| 850 | 3,00 | 1164995 | 141,35 | 1164965 | 98,05 | 1164945 | 76,55 | 1164935 | 54,85 | 1164915 | 33,15 |
| 900 | 3,00 | 1165995 | 158,10 | 1165965 | 109,40 | 1165945 | 85,10 | 1165935 | 60,80 | 1165915 | 36,40 |
| 950 | 3,00 | 1166995 | 175,34 | 1166965 | 121,14 | 1166945 | 94,04 | 1166935 | 66,94 | 1166915 | 39,84 |
| 1000 | 3,00 | 1167995 | 193,68 | 1167965 | 133,58 | 1167945 | 103,58 | 1167935 | 73,48 | 1167915 | 43,48 |

Item numbers designated with $D \leq 600$ mm are for segment bends assembled with pull rings [f.lyn]. Item numbers designated with $D \geq 630$ mm are for ducts with flange [m.fl]. 2 and 3 mm ducts are also available for other assembly methods. See p. 7 for assembly methods.