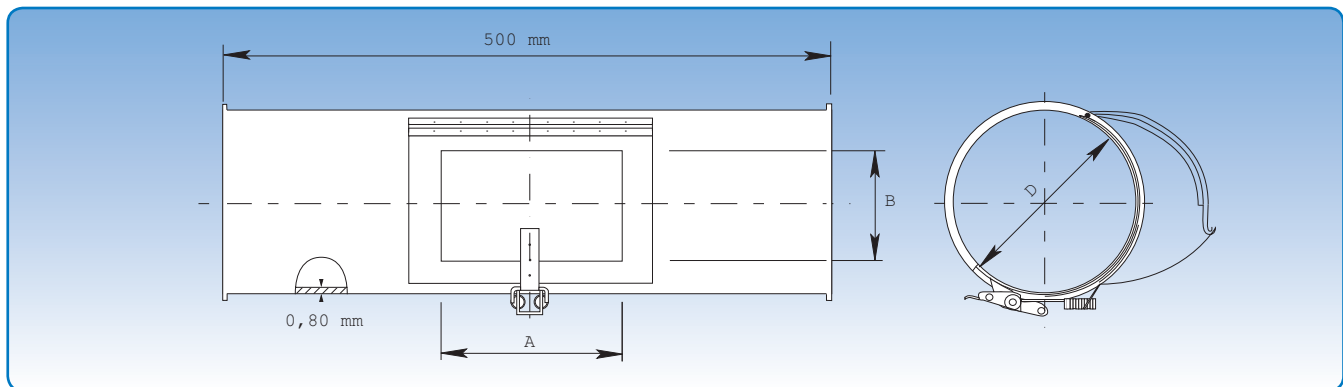


Ducts with access door, stainless steel

Technical catalogue: Duct systems, stainless steel
 Section: 01
 Page: 3/12
 Revised: 01.10.2008



Dimensional specifications are given in the table below.

Diameter: $\varnothing 80$ - $\varnothing 400$ mm.

Access doors are made of 0.80 mm and 1.00 mm sheet metal such that the inside is smooth and has a close fit.

Item no.	Dimensions		Weight kg
	D mm	B x A mm	
4670370	80	80 x 150	0,80
4671370	100	100 x 150	1,00
4672370	120	100 x 150	1,20
4674370	140	100 x 150	1,40
4675370	150	100 x 150	1,50
4677370	175	100 x 150	1,75
4678370	200	100 x 150	2,00
4679370	224	100 x 150	2,25
4680370	250	100 x 150	2,50
4671370	300	100 x 150	2,85
4673370	350	150 x 200	3,25
4674370	400	150 x 200	4,50

The item numbers stated are for ducts with access door assembled using pull rings [f.b].

Ducts with access door are also available for other assembly methods. See p. 5 for assembly methods.