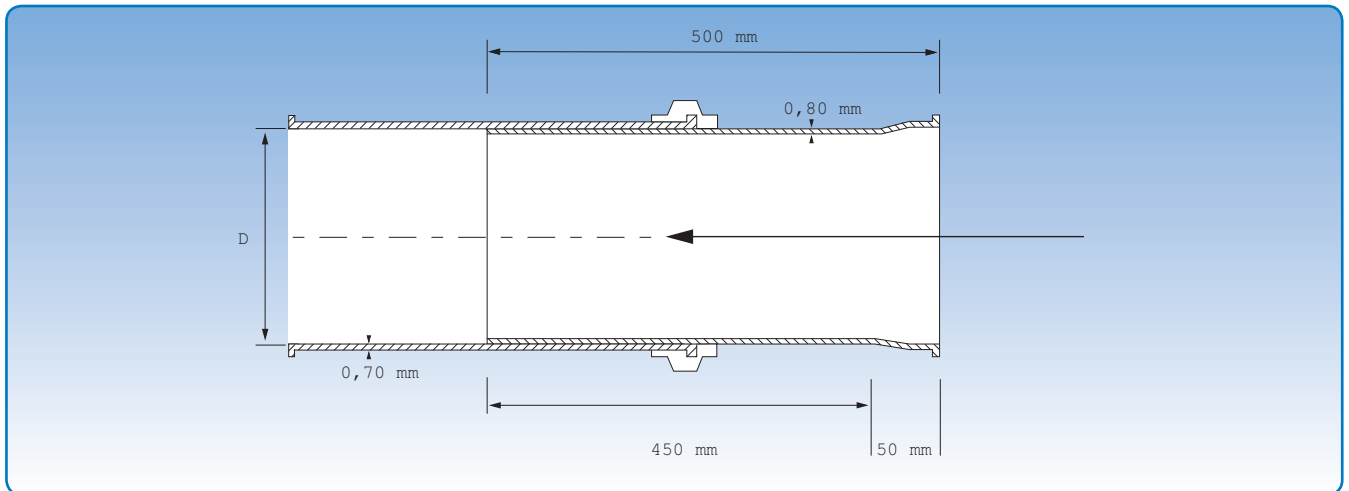


## Telescopic ducts, stainless steel

Technical catalogue: Duct systems, stainless steel  
 Section: 01  
 Page: 2/12  
 Revised: 01.10.2008



Dimensional specifications are given in the table below.

Diameter:  $\varnothing$ 100 -  $\varnothing$ 300 mm.

Telescopic ducts are made of 0.70 mm sheet metal, and supplied with rapid lock pull ring, including rubber insert. Rapid lock pull rings are electro-galvanised.

Item no.	Dimensions		Weight kg
	D mm		
1099561	100		0,98
1099564	120		1,18
1099570	140		1,38
1099573	150		1,47
1099579	175		1,74
1099582	200		1,99
1099585	224		2,23
1099588	250		2,40
1099594	300		3,00

The item numbers stated are for telescopic ducts assembled using pull rings (f.b).

Telescopic ducts are also available for other assembly methods. See p. 5 for assembly methods.